

Pyranometer Insulation Disc

Installation guide for mounting to first class & secondary standard Hukseflux pyranometers

Hukseflux offers an optional pyranometer insulation disc. Its goal: to insulate the pyranometer so the sensor is electrically connected to one ground point only at all times. This installation guide provides instructions how to mount the insulation disc included in this kit to an SR2x and SR3x pyranometer. Please consult the user manual of your pyranometer for more information on pyranometer installation.

Warning

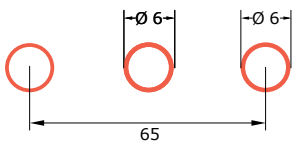
 Bolt tightening up to 7 Nm

Included

- Insulation disc with pyranometer locking bolt
- 2 x M5x12 bolt
- 2 x M5 washer

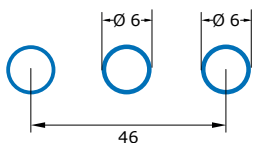
Plate specifications

- Plate thickness up to 5 mm, when using bolts included
- Hole dimensions in mm for SR2x



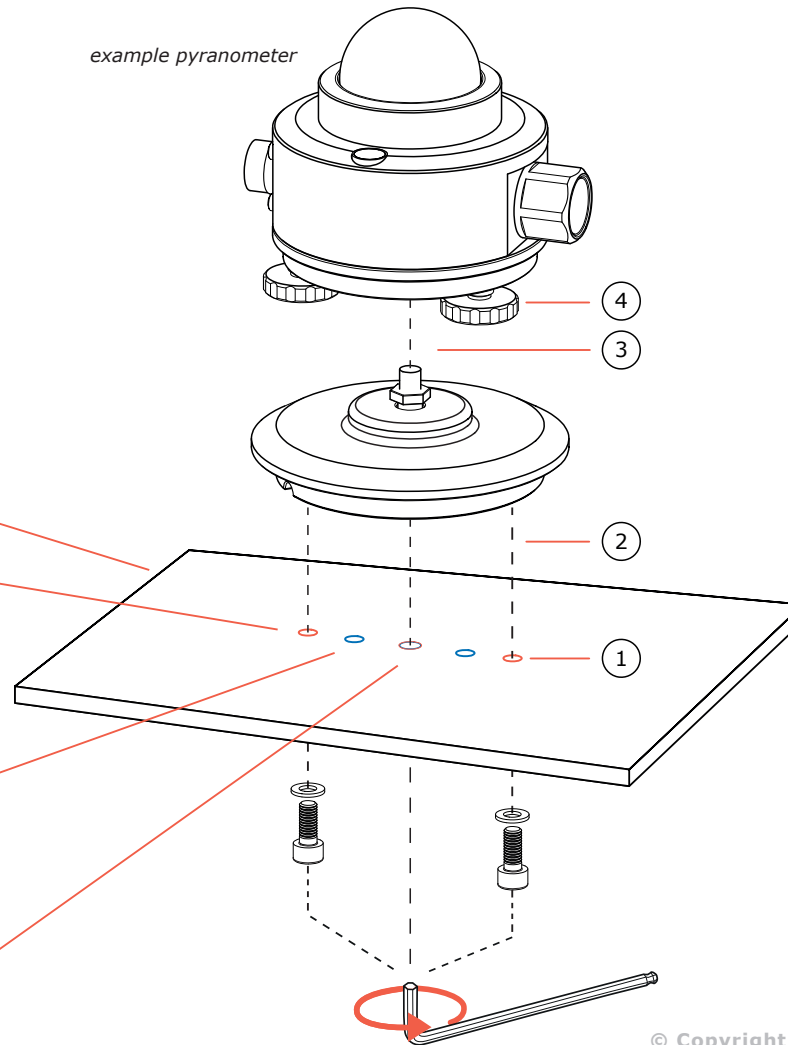
OR

- Hole dimensions in mm for SR3x



- Center hole for installing pyranometer to disc

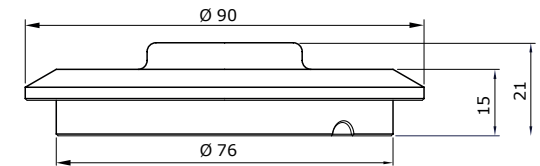
example pyranometer



Installation

- ① Hole pattern in plate
- ② Mount disc onto plate. Use 4 mm hex key.
- ③ Mount pyranometer onto disc. Use 4 mm hex key
- ④ Level pyranometer

Disc specifications

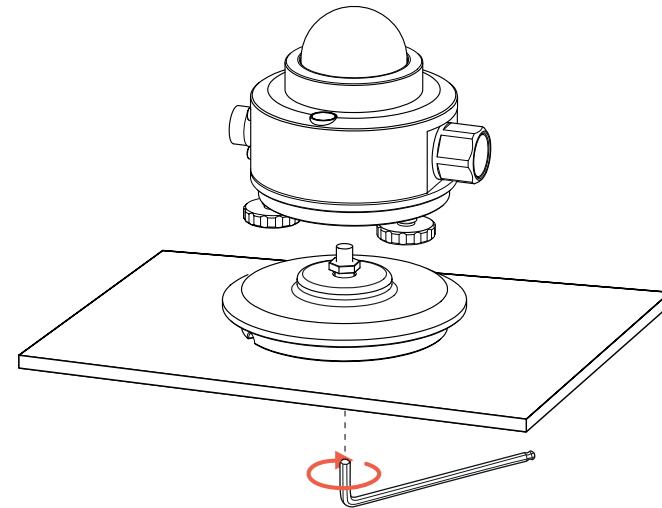


The insulation disc is spring-loaded. Once the pyranometer is connected and locked to the disc, the pyranometer can be levelled by user. Levelling is done by fastening or loosening the two adjustable levelling feet of the pyranometer by hand, see point ④ in drawing.

De-installing pyranometer

Preferred:

Release pyranometer by using a 4 mm hex key at center bolt



Alternative:

Use a 10 mm spanner for releasing the pyranometer

