

ALBEDOMETER MOUNTING INSTRUCTION FOR 1 x AMF03 AND 2 x SR30 / SR15

Out of two SR30-M2-D1 pyranometers and one AMF03 albedometer mounting kit you can construct an (SRA30-M2-D1) albedometer yourself. AMF03 may also be used to construct an (SRA15 series) albedometer out of two SR15 series pyranometers. This instruction sheet shows how. Included in the AMF03 kit are one glare screen and one fixture with rod. Mounting hardware and tools are also included. Please use this instruction sheet to mount the components of your albedometer. Please consult the user manual of SR30-M2-D1, SR15-A1 or the digital SR15 series for more information on the sensor and its use.

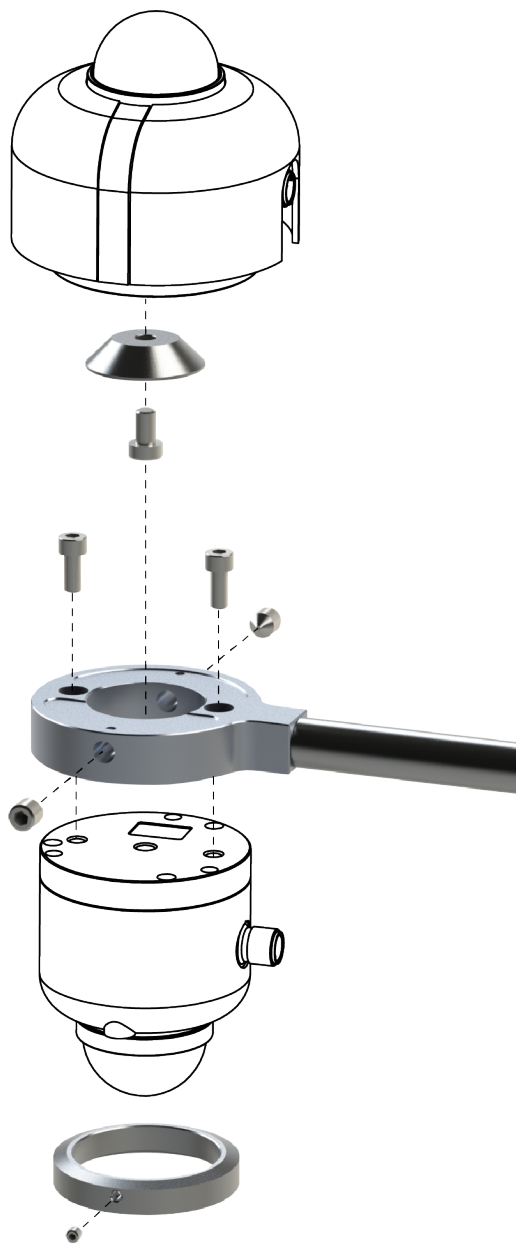


Figure 0.1 SRA30-M2-D1 and SRA15 series mounting steps 1-7.

Tools required (included)

- hex key no. 2 (2 mm)
- hex key no. 4 (4 mm)

Mounting and fixation steps 1 to 7

Mind the safety of the glass domes at each step!

1. Remove sensor feet of both sensors.
2. Remove sun screen from downfacing sensor.
3. Install glare screen on downfacing sensor using 2 mm hex key.
4. Mount the downward facing SR30 / SR15 (sensor with glare screen) to the fixture with rod using two M5x12 screws and 4 mm hex key.
5. Fasten the conical positioner to the upward facing SR30 / SR15 (sensor with sun screen) using one M6x8 screw and 4 mm hex key.
6. Mount the upward facing SR30 / SR15 (with its sun screen and conical positioner) to the fixture. Fasten with the M8x12 screws using 4 mm hex key.
7. Mounting SRA30-D1 or SRA15 series is complete.

Sensors

(2 x) SR30-M2-D1 digital spectrally flat Class A pyranometer
or

(2 x) SR15 series spectrally flat Class B pyranometer (SR15-D1, SR15-A1, SR15-D2A2)

Included with AMF03

- (1 x) glare screen
- (1 x) fixture with rod (diameter 15 mm)
- (1 x) conical positioner
- (2 x) M5x12 socket head cap screw
- (1 x) M6x8 socket head cap screw
- (2 x) M8x12 set screw